

SOCCER GOAL POSTS - MINI PORTABLE (SMIR)

SPECIFICATIONS

STEEL TYPE:

- MAIN UPRIGHTS & CROSS BAR: 60.3mm (2 3/8") O.D. PIPE
- GROUND FRAME: 76.2 x 50.8mm (3"x2") RECTANGULAR TUBE
- SIDE STAND: 48mm (1 7/8") O.D. PIPE

STEEL FINISH:

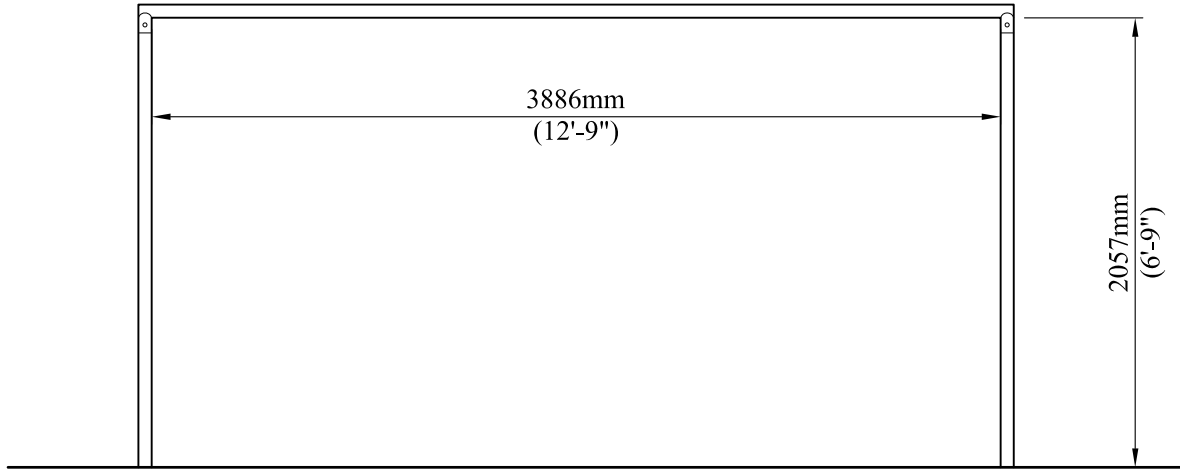
- 3 STEP POWDER COAT PROCESS:

1. SURFACE PREPARATION- SANDBLAST METAL
2. PRIME COAT- APPLICATION OF ZINC RICH PRIMER
3. TOP COAT- FINAL COATING IS BAKED ON FOR THE BEST IN LONG LASTING DURABILITY

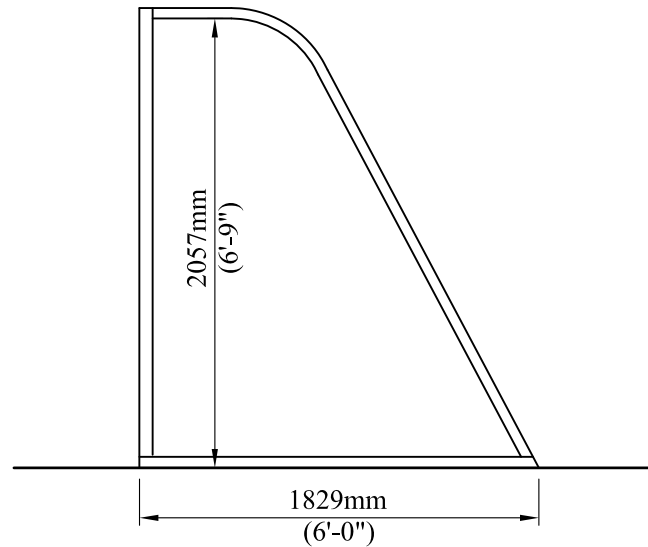
NOTE:

- OTHER SIZES AVAILABLE UPON REQUEST

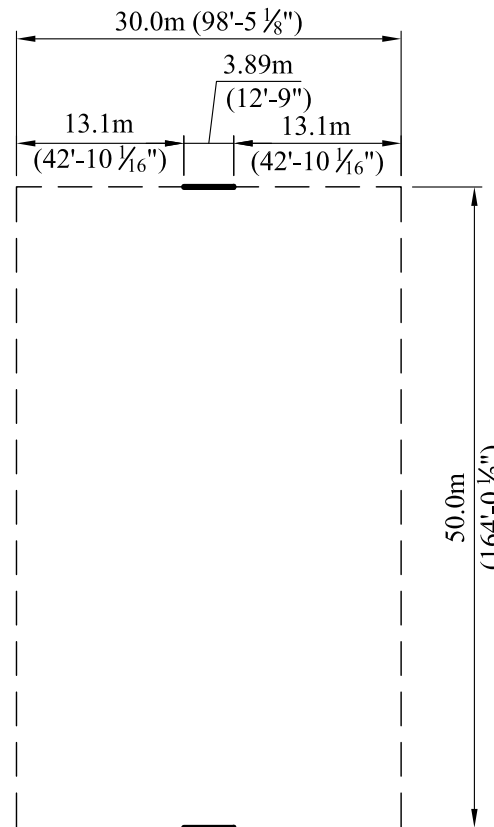
STEEL FINISH AVAILABLE IN A WIDE VARIETY OF COLORS. REFER TO COLOR CHART FOR MORE INFORMATION.



FRONT VIEW



SIDE VIEW



PLAN VIEW

TYPICAL FIELD LAYOUT



4111-17th Street SE Calgary, AB T2G 3W5
 Ph# 569-8180 Fax# 272-4544
 e-mail: reception.cpl@telus.net
www.custompark.com