

PARK BENCH - SERIES AR RECYCLED PLASTIC

SPECIFICATIONS

WOOD:

- 38.1 x 88.9 x 1600mm
(1 1/2" x 3 1/2" x 63")

WOOD OPTIONS:

TREX- AVAILABLE IN 4 DIFFERENT
COLORS.

STEEL TYPE:

- 88.9 x 9.5mm (3 1/2" x 3/8") FLAT
BAR FRAME

- 76.2 x 50.8mm (3" x 2")

RECTANGULAR TUBE LEGS

FASTENERS:

- 9.5mm (3/8") PLATED CARRIAGE
BOLTS. COLOR MATCHED TO
STEEL FRAME.

STEEL FINISH:

- 3 STEP POWDER COAT
PROCESS:

1. SURFACE PREPARATION-
SANDBLAST METAL
2. PRIME COAT- APPLICATION OF
ZINC RICH PRIMER
3. TOP COAT- FINAL COATING IS
BAKED ON FOR THE BEST IN LONG
LASTING DURABILITY

STEEL FRAME AVAILABLE IN A
WIDE VARIETY OF COLORS.
REFER TO COLOR CHART FOR
MORE INFORMATION.

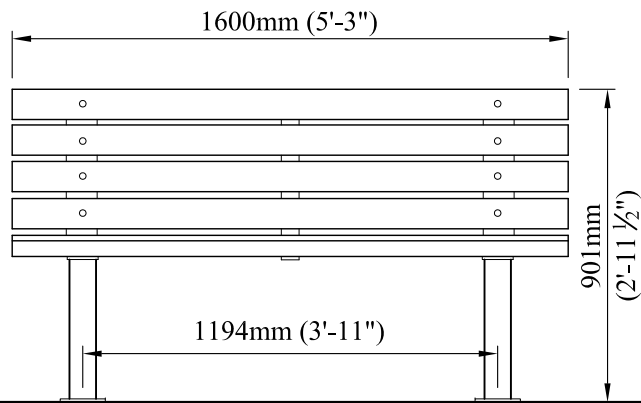


4111-17th Street SE Calgary, AB T2G 3W5

Ph# 569-8180 Fax# 272-4544

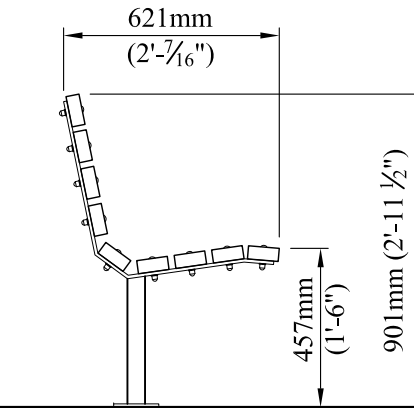
e-mail: reception.cpl@telus.net

www.custompark.com

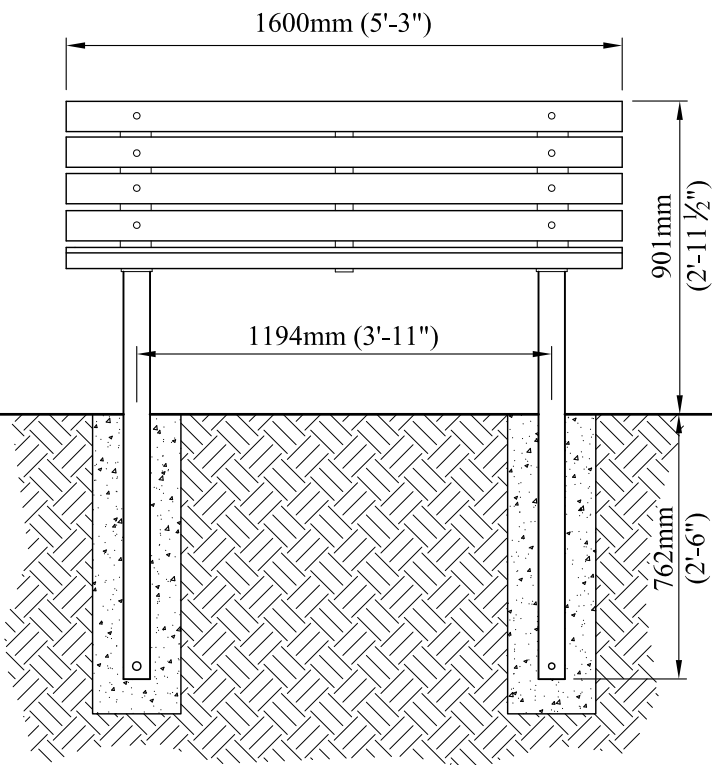


FRONT VIEW

SURFACE MOUNT (BARS)

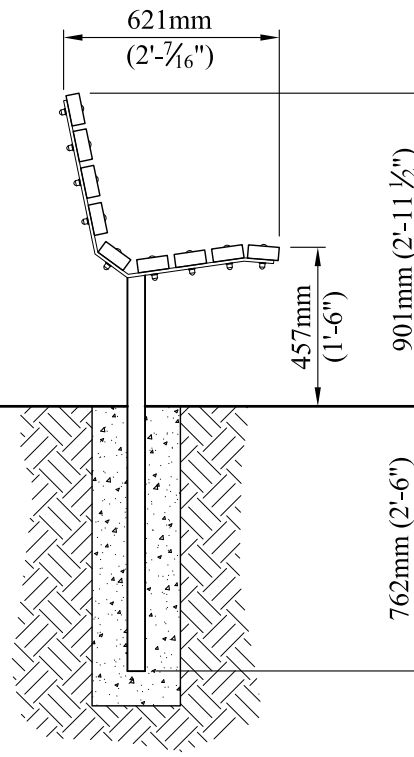


END VIEW



FRONT VIEW

IN GROUND (BARG)



END VIEW