

**PARK BENCH - SERIES DR
RECYCLED PLASTIC**

SPECIFICATIONS

WOOD:
- 38.1 x 88.9 x 1600mm
(1 1/2" x 3 1/2" x 63")

WOOD OPTIONS:
TREX - AVAILABLE IN 4 DIFFERENT COLORS.

STEEL TYPE:
- 101.6 x 76.2mm (4" x 3") ANGLE
IRON FRAME
- 76.2 x 50.8mm (3" x 2")
RECTANGULAR TUBE LEGS

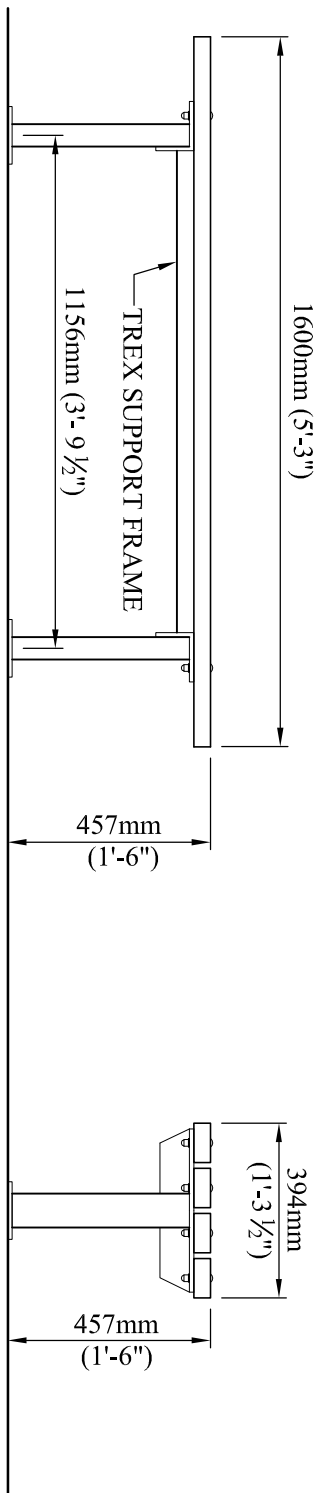
FASTENERS:
- 9.5mm (3/8") PLATED CARRIAGE BOLTS. COLOR MATCHED TO STEEL FRAME.

STEEL FINISH:
- 3 STEP POWDER COAT
PROCESS:
1. SURFACE PREPARATION-
SANDBLAST METAL
2. PRIME COAT- APPLICATION OF
ZINC RICH PRIMER
3. TOP COAT- FINAL COATING IS
BAKED ON FOR THE BEST IN LONG
LASTING DURABILITY

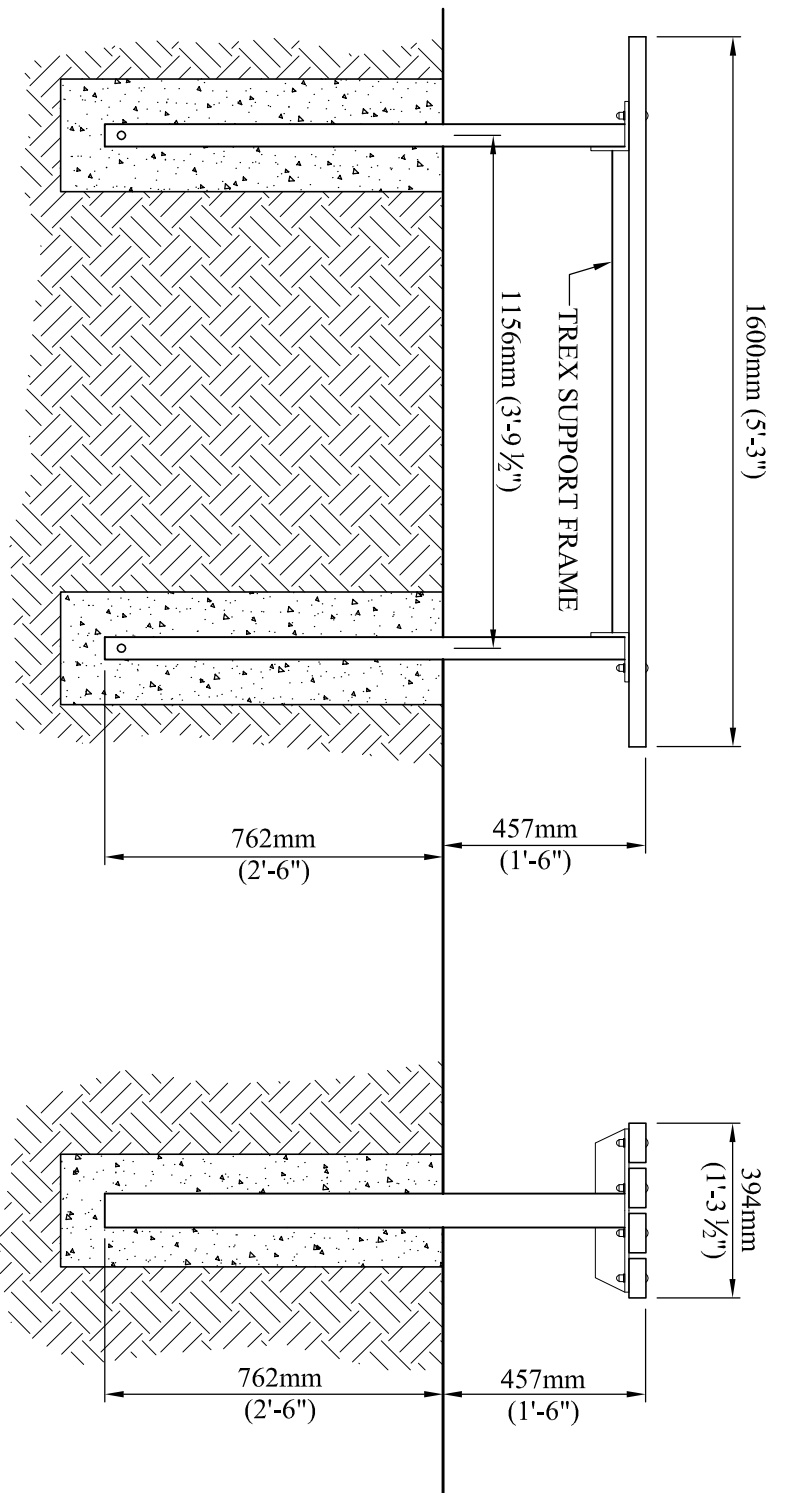
STEEL FRAME AVAILABLE IN A
WIDE VARIETY OF COLORS.
REFER TO COLOR CHART FOR
MORE INFORMATION.



4111-17th Street SE Calgary, AB T2G 3W5
Ph# 569-8180 Fax# 272-4544
e-mail: reception.cpl@telus.net
www.custompark.com



SURFACE MOUNT (BDRS)



IN GROUND (BDRG)

FRONT VIEW

END VIEW