

## BIKE RACK SERIES D

### SPECIFICATIONS

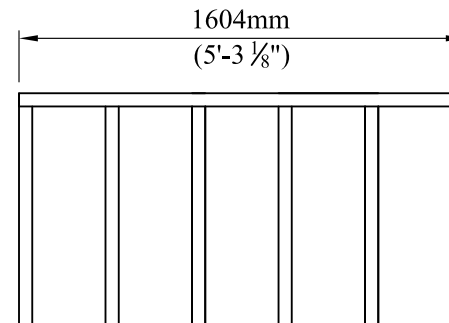
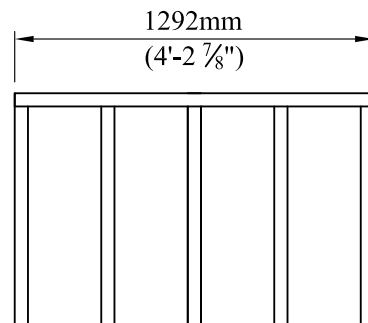
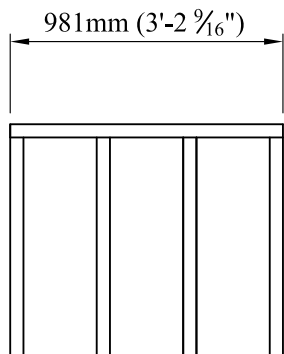
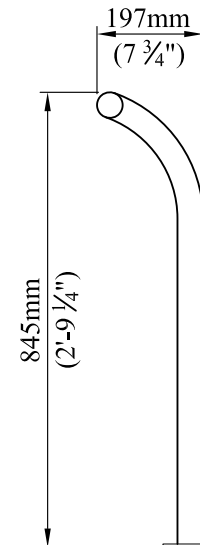
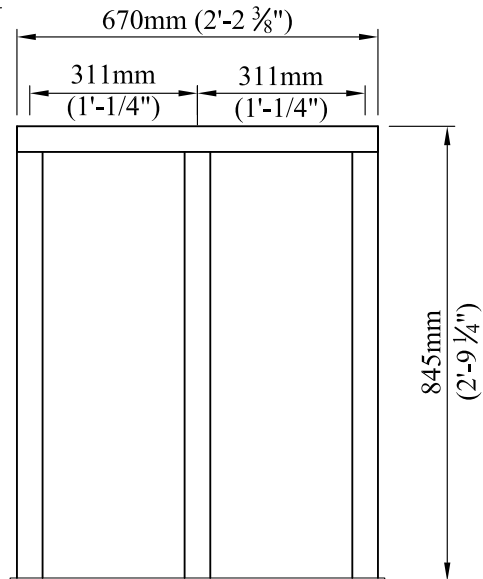
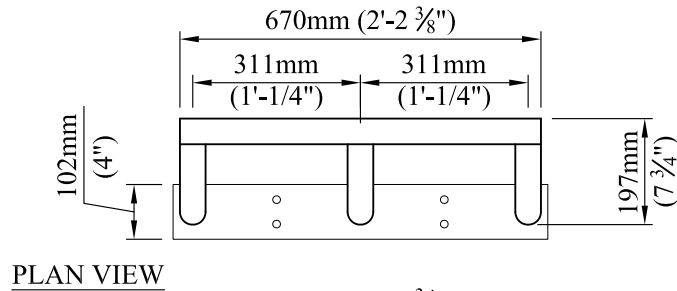
#### STEEL:

- 47.6mm (1 7/8") O.D. PIPE FRAME
- 6.4mm x 101.6mm (1/4" x 4") FLAT BAR MOUNTING PLATE

#### STEEL FINISH:

- 3 STEP POWDER COAT PROCESS:

1. SURFACE PREPARATION-SANDBLAST METAL
2. PRIME COAT- APPLICATION OF ZINC RICH PRIMER
3. TOP COAT- FINAL COATING IS BAKED ON FOR THE BEST IN LONG LASTING DURABILITY



3 BIKES (RDS3)

4 BIKES (RDS4)

5 BIKES (RDS5)

SURFACE MOUNT (RDS)

STEEL FRAME AVAILABLE IN A WIDE VARIETY OF COLORS. REFER TO COLOR CHART FOR MORE INFORMATION.



4111-17th Street SE Calgary, AB T2G 3W5  
Ph# 569-8180 Fax# 272-4544  
e-mail: reception.cpl@telus.net  
[www.custompark.com](http://www.custompark.com)