

BIKE RACK SERIES E

SPECIFICATIONS

STEEL:

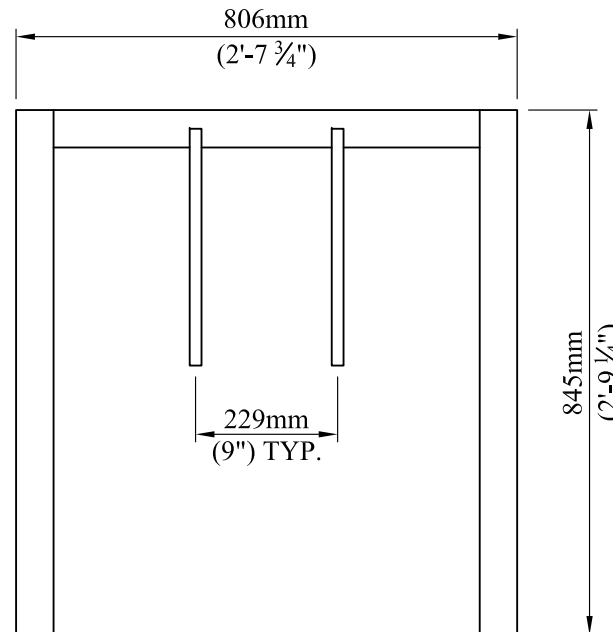
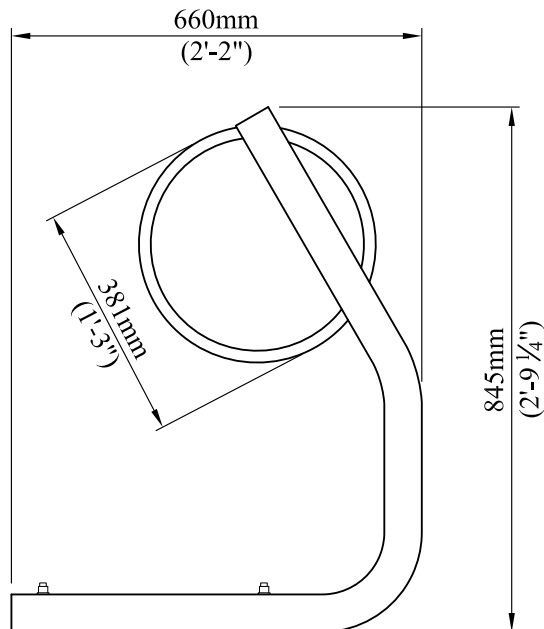
- 60.3mm (2 3/8") O.D. PIPE FRAME
- 19mm (3/4") SOLID ROUND BAR

STEEL FINISH:

- 3 STEP POWDER COAT

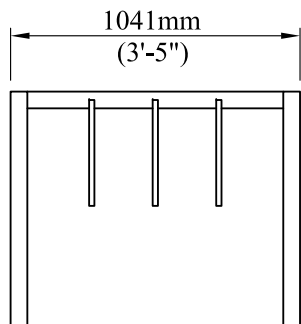
PROCESS:

1. SURFACE PREPARATION-
SANDBLAST METAL
2. PRIME COAT- APPLICATION OF
ZINC RICH PRIMER
3. TOP COAT- FINAL COATING IS
BAKED ON FOR THE BEST IN LONG
LASTING DURABILITY

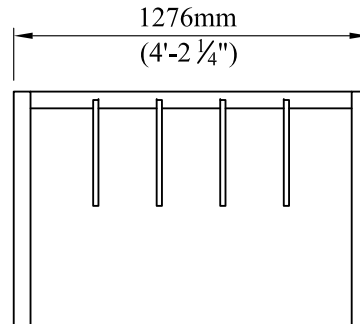


SIDE VIEW

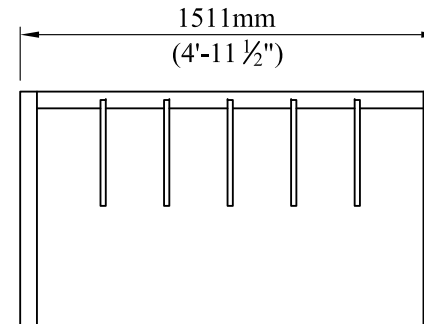
FRONT VIEW - 3 BIKES (RES3)



4 BIKES (RES4)



5 BIKES (RES5)



6 BIKES (RES6)

SURFACE MOUNT (RES)

STEEL FRAME AVAILABLE IN A
WIDE VARIETY OF COLORS.
REFER TO COLOR CHART FOR
MORE INFORMATION.



4111-17th Street SE Calgary, AB T2G 3W5
Ph# 569-8180 Fax# 272-4544
e-mail: reception.cpl@telus.net
www.custompark.com