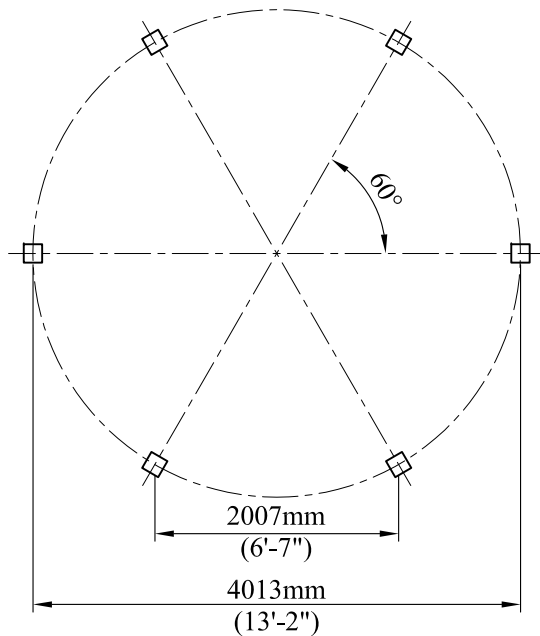
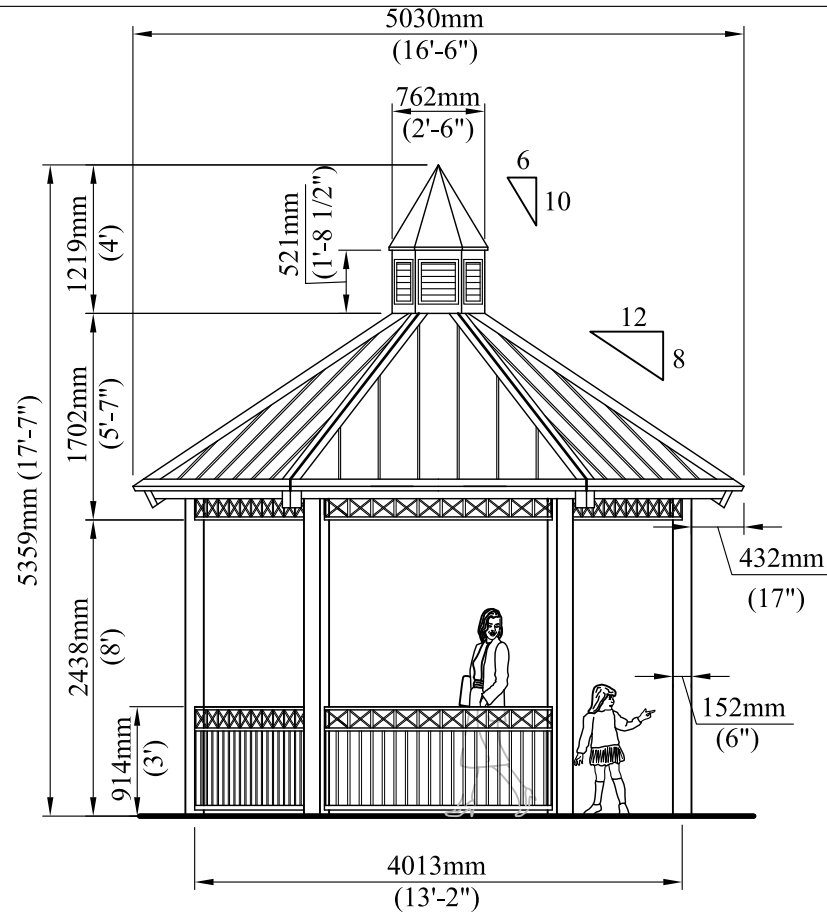


ROOF PLAN



COLUMN LAYOUT



ELEVATION

COVENTRY SERIES (COV-16) GAZEBO - 16'

SPECIFICATIONS

STEEL:

- COLUMNS: 152mm x 152mm (6"x6") SQUARE TUBE.

- BEAMS: 152mm x 152mm (6"x6") SQUARE TUBE.

- RAFTERS: 101mm x 101mm (4"x4") SQUARE TUBE

- ROOF: PRE-FINISHED METAL PANEL ATTACHED DIRECTLY TO GAZEBO FRAME. OPTIONAL CEDAR SHAKES OR ASPHALT SHINGLES ARE AVAILABLE. WOOD SUBSTRUCTURE IS REQUIRED FOR THESE TWO OPTIONS.

STEEL FINISH:

- 3 STEP POWDER COAT

PROCESS:

1. SURFACE PREPARATION- SANDBLAST METAL
2. PRIME COAT- APPLICATION OF ZINC RICH PRIMER
3. TOP COAT- FINAL COATING IS BAKED ON FOR THE BEST IN LONG LASTING DURABILITY

AVAILABLE IN A WIDE VARIETY OF COLORS. REFER TO COLOR CHART FOR MORE INFORMATION.

GENERAL CONCEPT ONLY.
NOT FOR CONSTRUCTION.

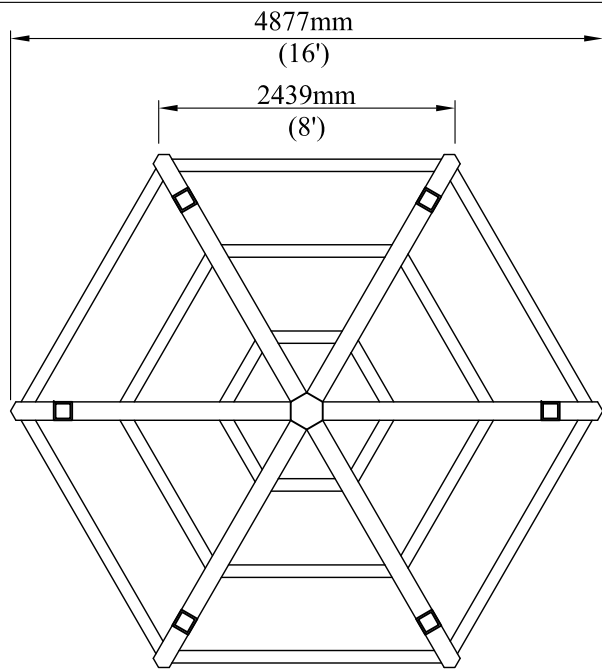


4111-17th Street SE Calgary, AB T2G 3W5

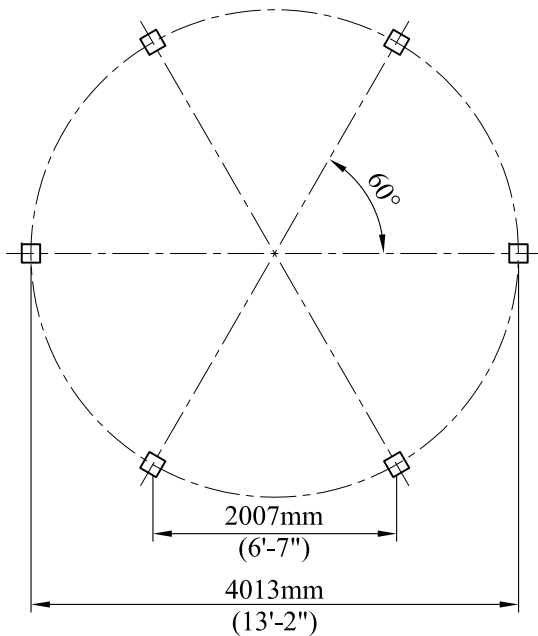
Ph# 569-8180 Fax# 272-4544

e-mail: reception.cpl@telus.net

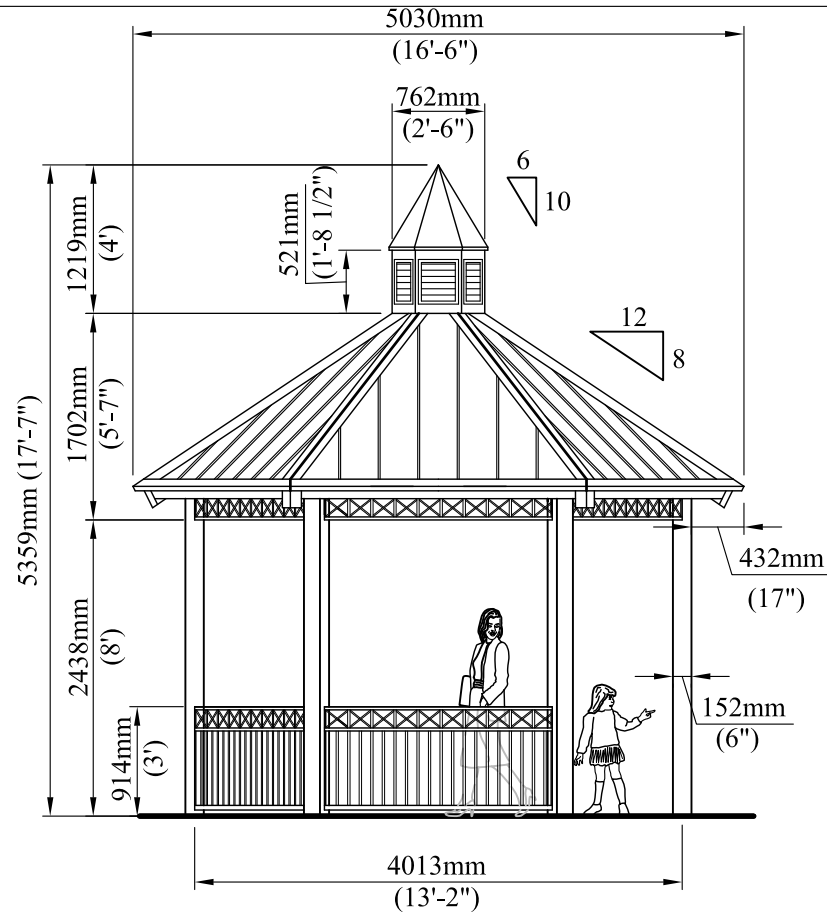
www.custompark.com



ROOF PLAN



COLUMN LAYOUT



ELEVATION

COVENTRY SERIES (COV-16) GAZEBO - 16'

SPECIFICATIONS

STEEL:

- COLUMNS: 152mm x 152mm (6"x6") SQUARE TUBE.

- BEAMS: 152mm x 152mm (6"x6") SQUARE TUBE.

- RAFTERS: 101mm x 101mm (4"x4") SQUARE TUBE

- ROOF: PRE-FINISHED METAL PANEL ATTACHED DIRECTLY TO GAZEBO FRAME. OPTIONAL CEDAR SHAKES OR ASPHALT SHINGLES ARE AVAILABLE. WOOD SUBSTRUCTURE IS REQUIRED FOR THESE TWO OPTIONS.

STEEL FINISH:

- 3 STEP POWDER COAT

PROCESS:

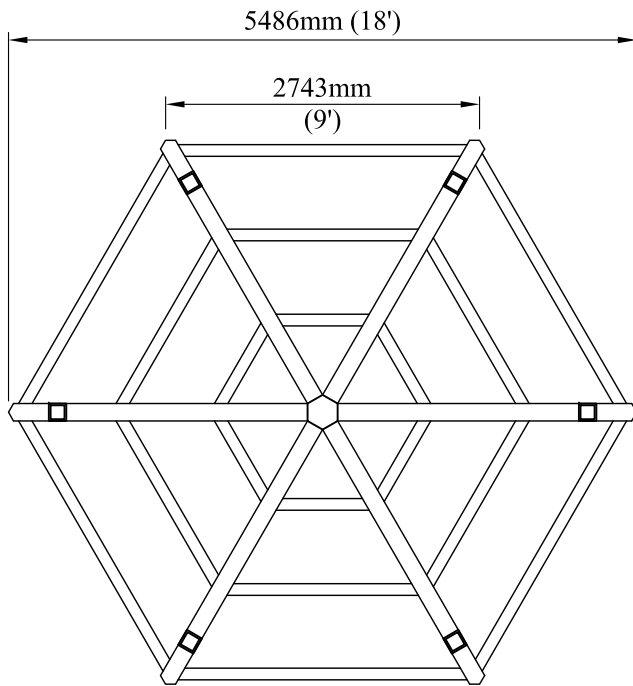
1. SURFACE PREPARATION- SANDBLAST METAL
2. PRIME COAT- APPLICATION OF ZINC RICH PRIMER
3. TOP COAT- FINAL COATING IS BAKED ON FOR THE BEST IN LONG LASTING DURABILITY

AVAILABLE IN A WIDE VARIETY OF COLORS. REFER TO COLOR CHART FOR MORE INFORMATION.

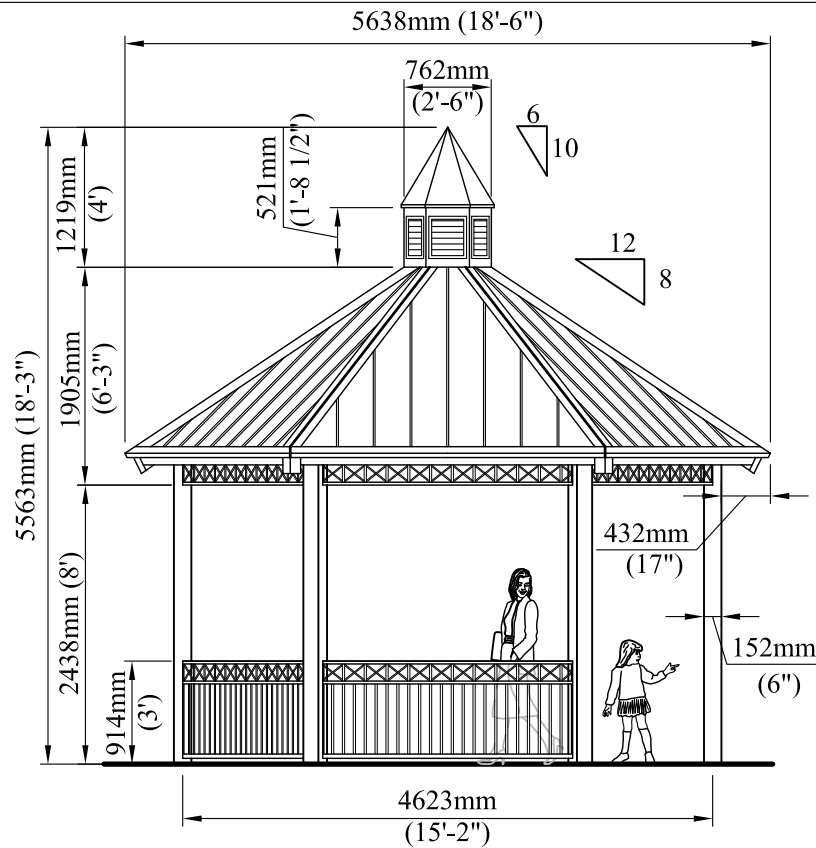
GENERAL CONCEPT ONLY.
NOT FOR CONSTRUCTION.



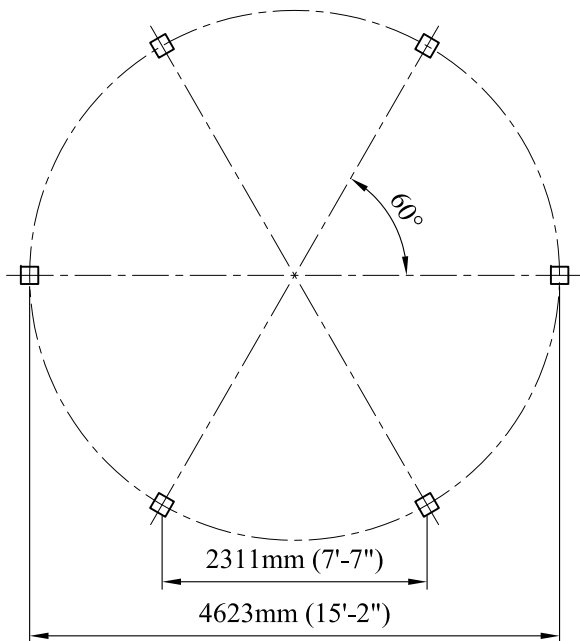
4111-17th Street SE Calgary, AB T2G 3W5
Ph# 569-8180 Fax# 272-4544
e-mail: reception.cpl@telus.net
www.custompark.com



ROOF PLAN



ELEVATION



COLUMN LAYOUT

COVENTRY SERIES (COV-18) GAZEBO - 18'

SPECIFICATIONS

STEEL:

- COLUMNS: 152mm x 152mm (6"x6") SQUARE TUBE.

- BEAMS: 152mm x 152mm (6"x6") SQUARE TUBE.

- RAFTERS: 101mm x 101mm (4"x4") SQUARE TUBE

- ROOF: PRE-FINISHED METAL PANEL ATTACHED DIRECTLY TO GAZEBO FRAME. OPTIONAL CEDAR SHAKES OR ASPHALT SHINGLES ARE AVAILABLE. WOOD SUBSTRUCTURE IS REQUIRED FOR THESE TWO OPTIONS.

STEEL FINISH:

- 3 STEP POWDER COAT PROCESS:

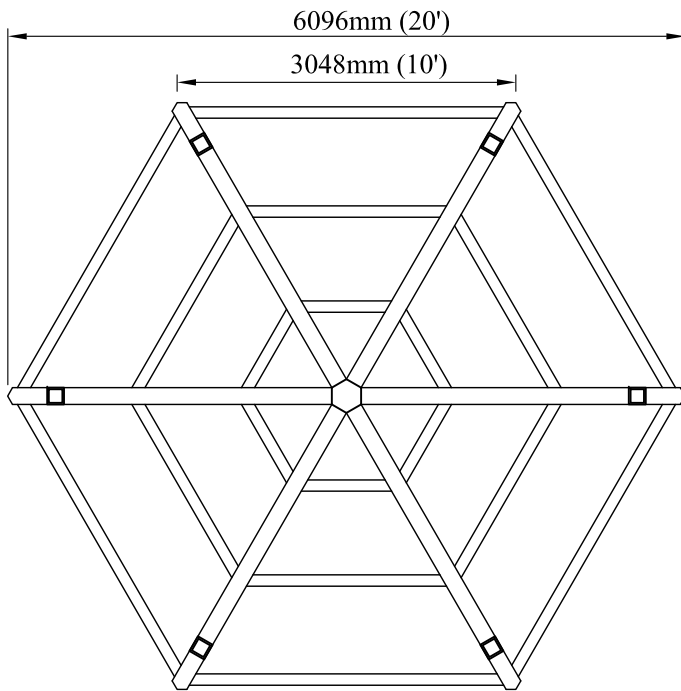
1. SURFACE PREPARATION- SANDBLAST METAL
2. PRIME COAT- APPLICATION OF ZINC RICH PRIMER
3. TOP COAT- FINAL COATING IS BAKED ON FOR THE BEST IN LONG LASTING DURABILITY

AVAILABLE IN A WIDE VARIETY OF COLORS. REFER TO COLOR CHART FOR MORE INFORMATION.

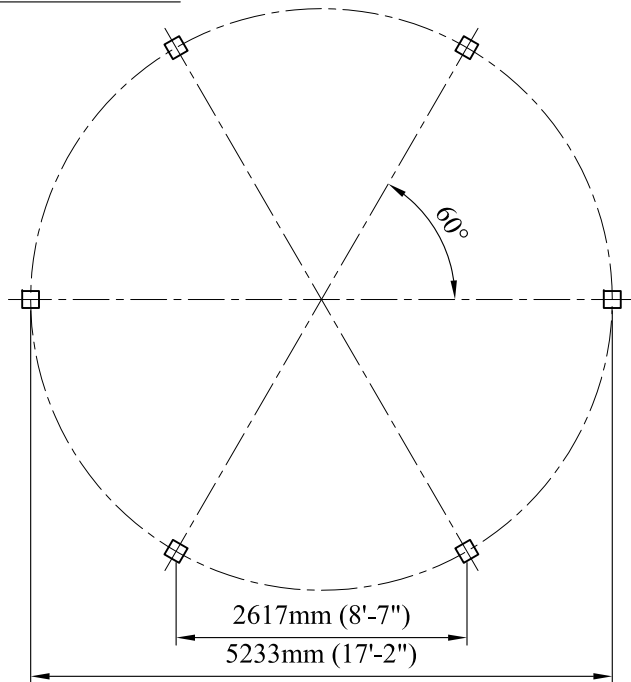
GENERAL CONCEPT ONLY.
NOT FOR CONSTRUCTION.



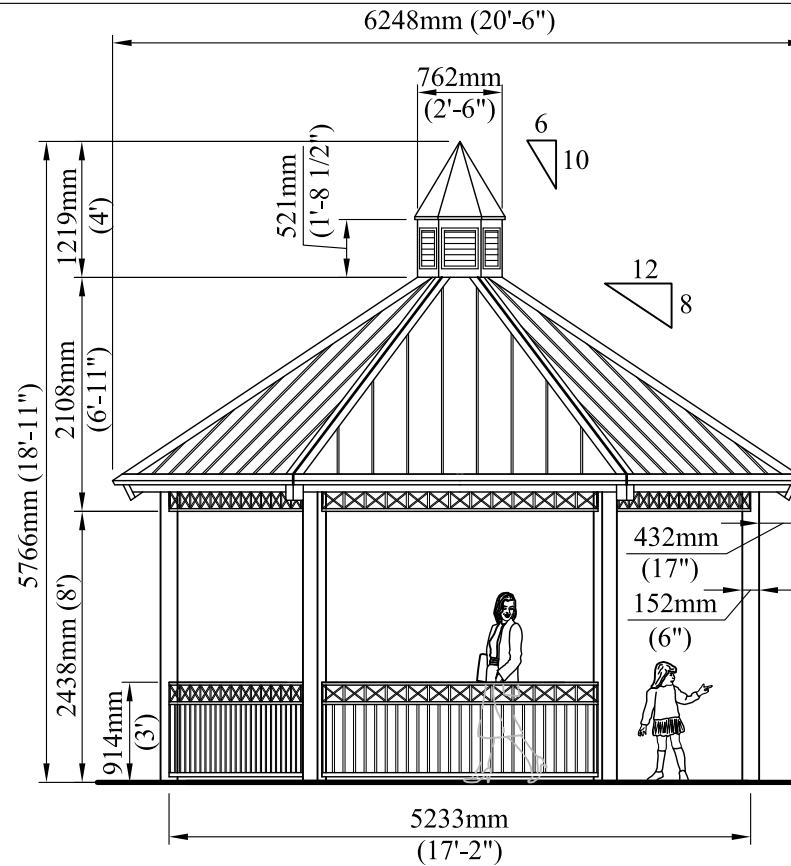
4111-17th Street SE Calgary, AB T2G 3W5
Ph# 569-8180 Fax# 272-4544
e-mail: reception.cpl@telus.net
www.custompark.com



ROOF PLAN



COLUMN LAYOUT



ELEVATION

COVENTRY SERIES (COV-20) GAZEBO - 20'

SPECIFICATIONS

STEEL:

- **COLUMNS:** 152mm x 152mm (6"x6") SQUARE TUBE.

- **BEAMS:** 152mm x 152mm (6"x6") SQUARE TUBE.

- **RAFTERS:** 101mm x 101mm (4"x4") SQUARE TUBE

- **ROOF:** PRE-FINISHED METAL PANEL ATTACHED DIRECTLY TO GAZEBO FRAME. OPTIONAL CEDAR SHAKES OR ASPHALT SHINGLES ARE AVAILABLE. WOOD SUBSTRUCTURE IS REQUIRED FOR THESE TWO OPTIONS.

STEEL FINISH:

- 3 STEP POWDER COAT PROCESS:

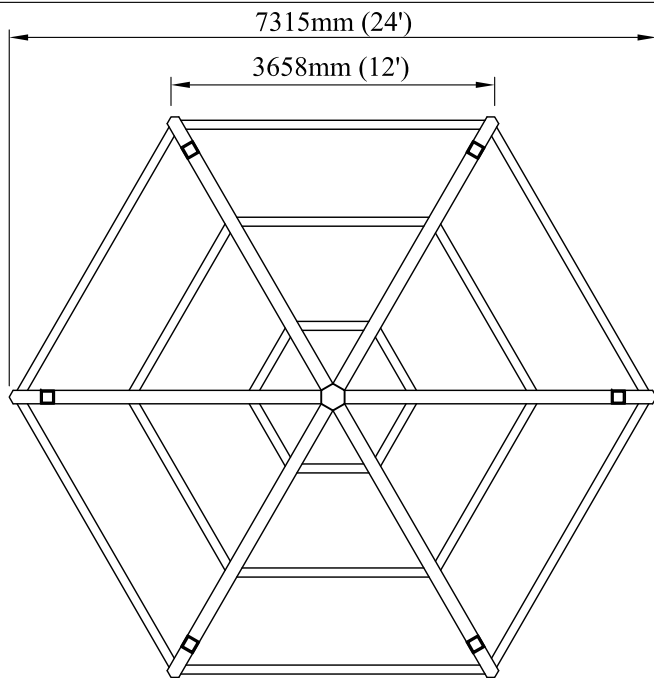
1. SURFACE PREPARATION- SANDBLAST METAL
2. PRIME COAT- APPLICATION OF ZINC RICH PRIMER
3. TOP COAT- FINAL COATING IS BAKED ON FOR THE BEST IN LONG LASTING DURABILITY

AVAILABLE IN A WIDE VARIETY OF COLORS. REFER TO COLOR CHART FOR MORE INFORMATION.

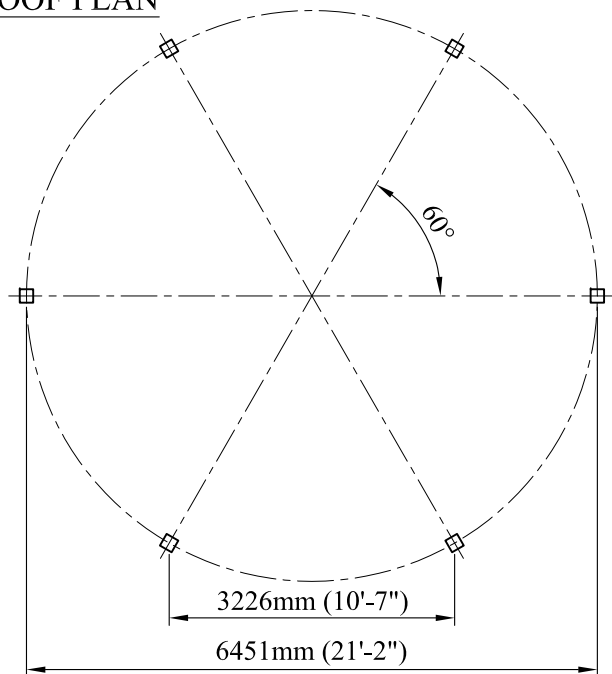
GENERAL CONCEPT ONLY.
NOT FOR CONSTRUCTION.



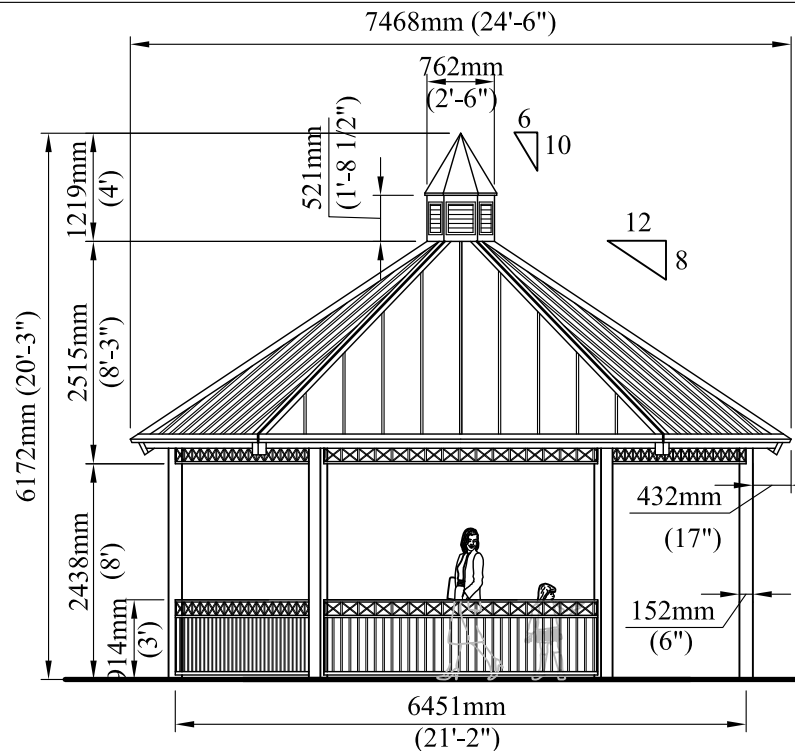
4111-17th Street SE Calgary, AB T2G 3W5
Ph# 569-8180 Fax# 272-4544
e-mail: reception.cpl@telus.net
www.custompark.com



ROOF PLAN



COLUMN LAYOUT



ELEVATION

COVENTRY SERIES (COV-24) GAZEBO - 24'

SPECIFICATIONS

STEEL:

- **COLUMNS:** 152mm x 152mm (6"x6") SQUARE TUBE.

- **BEAMS:** 152mm x 152mm (6"x6") SQUARE TUBE.

- **RAFTERS:** 101mm x 101mm (4"x4") SQUARE TUBE

- **ROOF:** PRE-FINISHED METAL PANEL ATTACHED DIRECTLY TO GAZEBO FRAME. OPTIONAL CEDAR SHAKES OR ASPHALT SHINGLES ARE AVAILABLE. WOOD SUBSTRUCTURE IS REQUIRED FOR THESE TWO OPTIONS.

STEEL FINISH:

- 3 STEP POWDER COAT PROCESS:

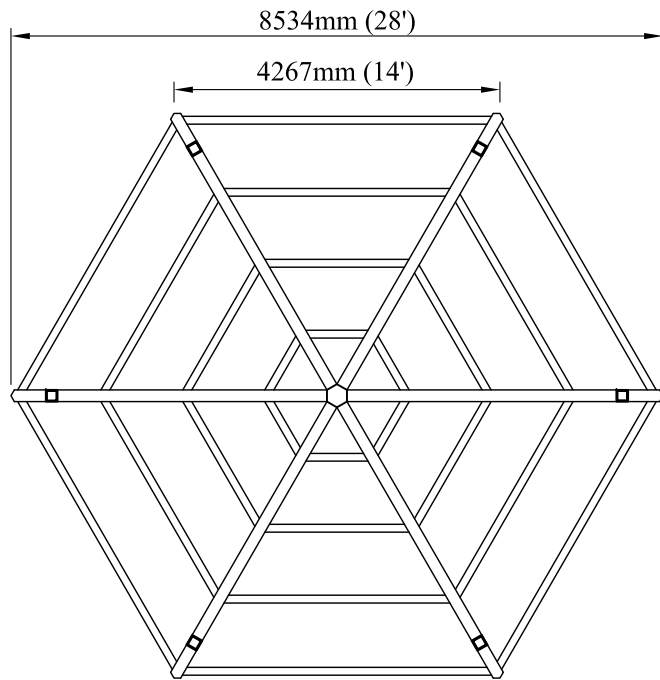
1. SURFACE PREPARATION- SANDBLAST METAL
2. PRIME COAT- APPLICATION OF ZINC RICH PRIMER
3. TOP COAT- FINAL COATING IS BAKED ON FOR THE BEST IN LONG LASTING DURABILITY

AVAILABLE IN A WIDE VARIETY OF COLORS. REFER TO COLOR CHART FOR MORE INFORMATION.

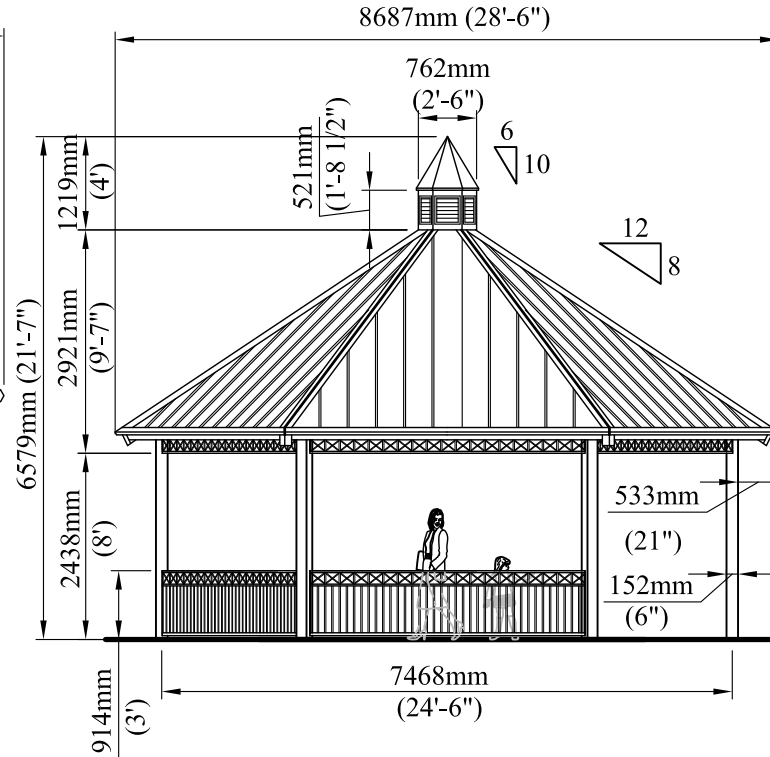
GENERAL CONCEPT ONLY.
NOT FOR CONSTRUCTION.



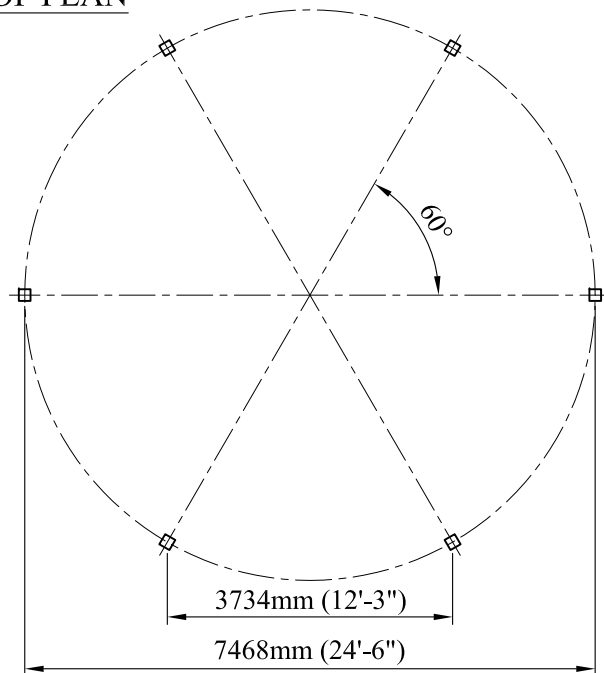
4111-17th Street SE Calgary, AB T2G 3W5
Ph# 569-8180 Fax# 272-4544
e-mail: reception.cpl@telus.net
www.custompark.com



ROOF PLAN



ELEVATION



COLUMN LAYOUT

COVENTRY SERIES (COV-28) GAZEBO - 28'

SPECIFICATIONS

STEEL:

- COLUMNS: 152mm x 152mm (6"x6") SQUARE TUBE.

- BEAMS: 152mm x 152mm (6"x6") SQUARE TUBE.

- RAFTERS: 101mm x 101mm (4"x4") SQUARE TUBE

- ROOF: PRE-FINISHED METAL PANEL ATTACHED DIRECTLY TO GAZEBO FRAME. OPTIONAL CEDAR SHAKES OR ASPHALT SHINGLES ARE AVAILABLE. WOOD SUBSTRUCTURE IS REQUIRED FOR THESE TWO OPTIONS.

STEEL FINISH:

- 3 STEP POWDER COAT PROCESS:

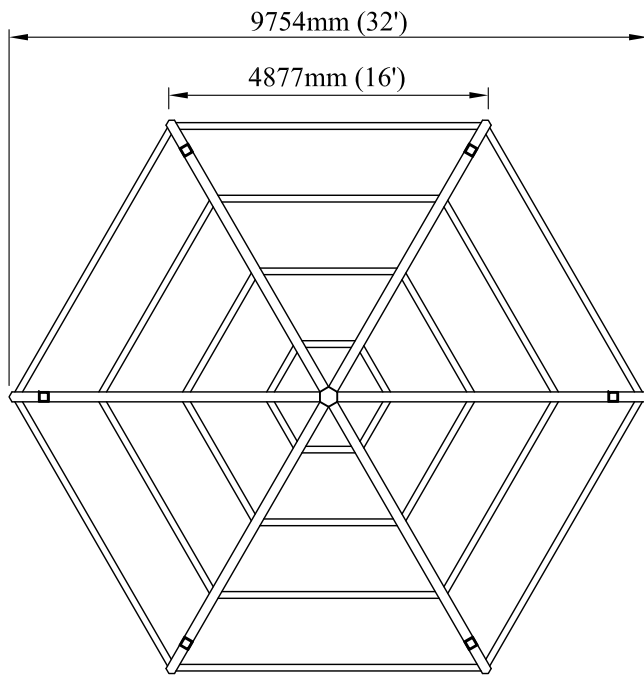
1. SURFACE PREPARATION- SANDBLAST METAL
2. PRIME COAT- APPLICATION OF ZINC RICH PRIMER
3. TOP COAT- FINAL COATING IS BAKED ON FOR THE BEST IN LONG LASTING DURABILITY

AVAILABLE IN A WIDE VARIETY OF COLORS. REFER TO COLOR CHART FOR MORE INFORMATION.

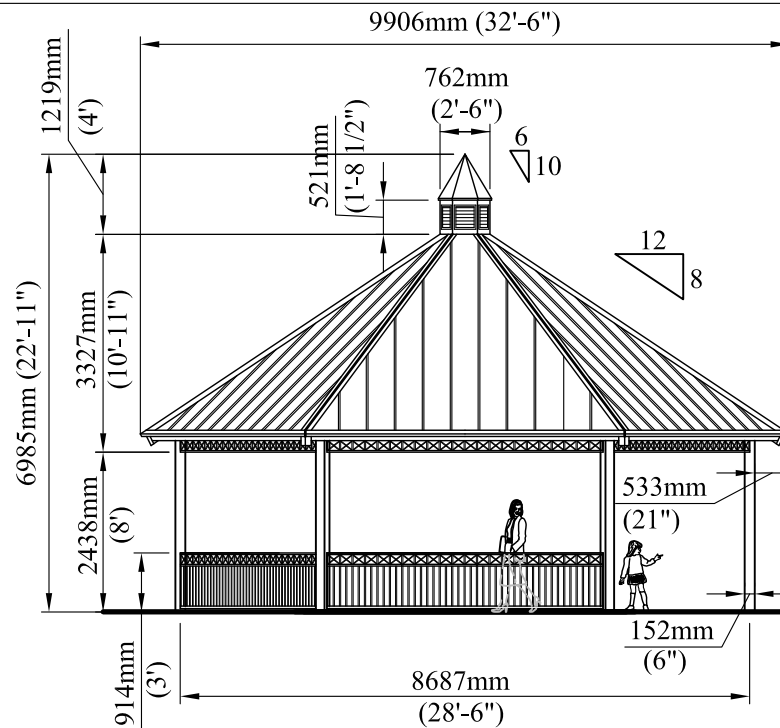
GENERAL CONCEPT ONLY.
NOT FOR CONSTRUCTION.



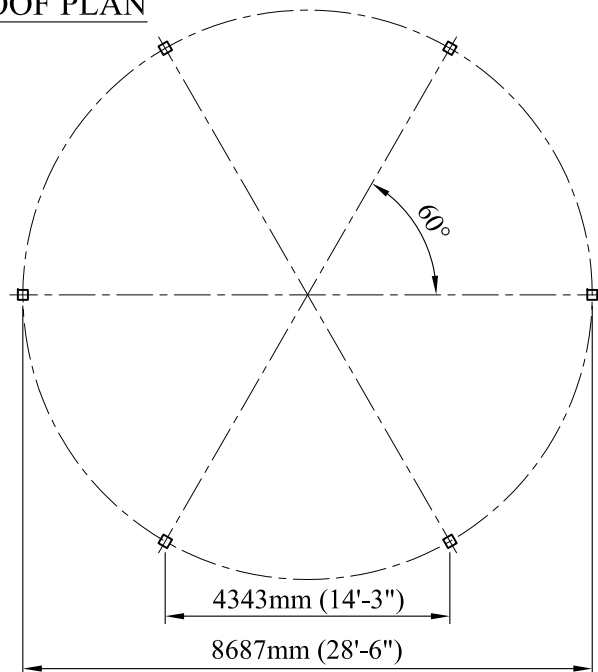
4111-17th Street SE Calgary, AB T2G 3W5
Ph# 569-8180 Fax# 272-4544
e-mail: reception.cpl@telus.net
www.custompark.com



ROOF PLAN



ELEVATION



COLUMN LAYOUT

**COVENTRY SERIES
(COV-32) GAZEBO - 32'**

SPECIFICATIONS

STEEL:

- **COLUMNS:** 152mm x 152mm (6"x6") SQUARE TUBE.

- **BEAMS:** 203mm x 152mm (8"x6") SQUARE TUBE.

- **RAFTERS:** 127mm x 127mm (5"x5") SQUARE TUBE

- **ROOF:** PRE-FINISHED METAL PANEL ATTACHED DIRECTLY TO GAZEBO FRAME. OPTIONAL CEDAR SHAKES OR ASPHALT SHINGLES ARE AVAILABLE. WOOD SUBSTRUCTURE IS REQUIRED FOR THESE TWO OPTIONS.

STEEL FINISH:

- 3 STEP POWDER COAT PROCESS:

1. SURFACE PREPARATION- SANDBLAST METAL
2. PRIME COAT- APPLICATION OF ZINC RICH PRIMER
3. TOP COAT- FINAL COATING IS BAKED ON FOR THE BEST IN LONG LASTING DURABILITY

AVAILABLE IN A WIDE VARIETY OF COLORS. REFER TO COLOR CHART FOR MORE INFORMATION.

GENERAL CONCEPT ONLY.
NOT FOR CONSTRUCTION.



4111-17th Street SE Calgary, AB T2G 3W5
Ph# 569-8180 Fax# 272-4544
e-mail: reception.cpl@telus.net
www.custompark.com

