

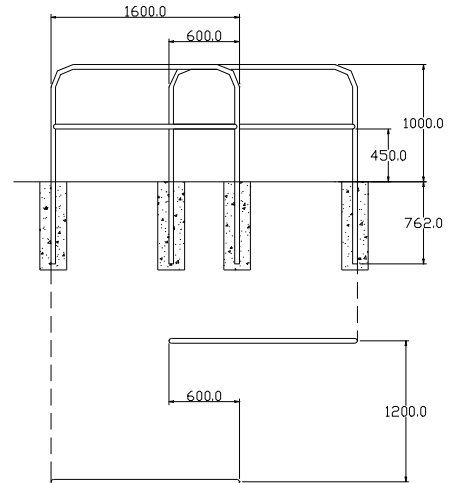
Barricades and Breakaway Bollards

Phone: 403 569 8180 Fax: 403 272 4544

Pathway Barricades

PB01. Per Set \$ 560.00

Specifications	
Steel Type:	47.6mm O.D. Pipe
Steel Finish:	Powder Coating Safety Yellow Other Colors Available

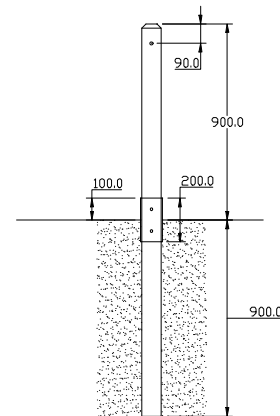


Plan View Barricades

Breakaway Bollard

BB01. \$ 180.00ea.

Specifications	
Wood Type	88.9mm x 88.9mm ACQ treated (no paint)
Steel Type:	101.6mm x 101.6mm O.D. SQ. Tube
Steel Finish:	Galvanized



Installation (See Pages 17 & 18 for Installation Details)

Pathway Barricades

In-Ground Through Asphalt

½ Set	\$ 520.00 ea
1 Set	\$ 765.00 ea
2 Sets	\$ 640.00 ea
3 Sets	\$ 585.00 ea

Breakaway Bollard

In-Ground In Landscaped Area

1 Bollard	\$ 380.00 ea
2 Bollards	\$ 285.00 ea
3 Bollards	\$ 230.00 ea
4 Bollards	\$ 200.00 ea
5 Bollards	\$ 185.00 ea

Breakaway Bollard

In-Ground Through Asphalt

1 Bollard	\$ 390.00 ea
2 Bollards	\$ 300.00 ea
3 Bollards	\$ 240.00 ea
4 Bollards	\$ 220.00 ea
5 Bollards	\$ 200.00 ea

For More Information See Our Website at www.custompark.com

Specifications

- Lifetime Preservative:** Is an organic based preservative that allows cedar to weather to a natural silver color. This product is a one time application with no future application required.
- Sikkens Stain:** Is a top quality oil based stain which enhances the natural beauty of the cedar giving it a long term protection from the elements.
- ACQ Treatment:** Newly approved preservative treatment that is environmentally friendly and allows the wood to fade to a light green color as the wood ages. This is a one time application and does not require any additional treatment.
- Trex** Trex products are made from recycled and reclaimed wood and plastic. The wood protects the plastic from UV exposure and the plastic protects the wood from moisture and insect damage. Combined, Trex is a product that doesn't rot, crack, or splinter. Trex products are available in most conventional lumber dimensions and are also available in five different colors.
- Powder Coating:** Is a 3 step dry metal finishing process
- Step 1 Sandblast metal
 - Step 2 Application of zinc rich primer
 - Step 3 Final coating is baked on for the best in long lasting durability
- Galvanized Finish:** All product is available in a galvanized finish option.
- Installations:** All in ground installation pricing is based on reasonable summer digging conditions. All winter installations will be priced on a per project basis. Installation prices are based on the Calgary and surrounding area within 25 km.
- Measurements:** All measurements in this document are in millimeters